

TRAILERTAIL® VISIBILITY TAB INSTALLATION GUIDE

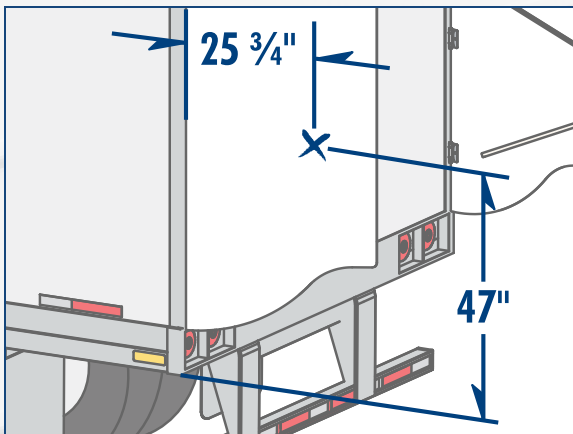
The Visibility Tab is an add-on option for TrailerTail to improve driver awareness and accountability. It allows the driver to determine the deployment state of the TrailerTail when looking in the side-view mirror, decreasing the potential for damage. The easy-to-install Visibility Tab uses STEMCO GAFF™ material for high visibility and low friction, minimizing scratching on the side of the trailer.

Install preparation and drilling steps are not required if the holes for the Visibility Tab are pre-drilled in the lateral panel.



INSTALL PREPARATION

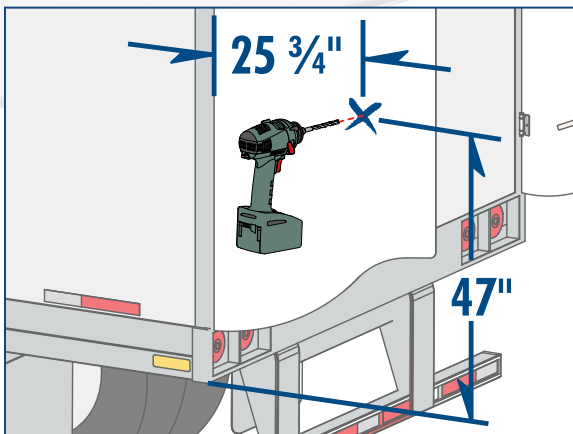
The Visibility Tab is designed to be installed on the roadside lateral panel, extending towards the front of the trailer. It extends 3" past the edge of the trailer side, allowing it to be seen by the driver in the side-view mirror.



STEP 1 LOCATE TRAILING HOLE

Measure 47" up from the rear trailer lights on the bumper and 25 3/4" from the front edge of the TrailerTail.

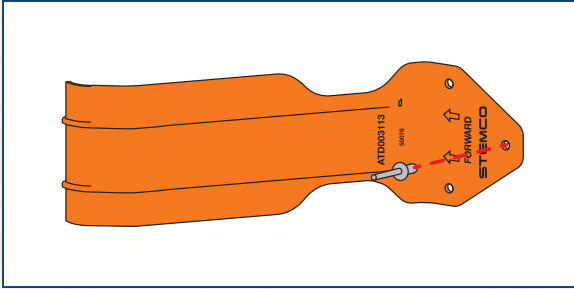
Mark the intersection of the measurements on the TrailerTail lateral panel.



STEP 2 DRILL TRAILING HOLE

Drill a single hole with a 17/64" drill bit.

VISIBILITY TAB INSTALLATION



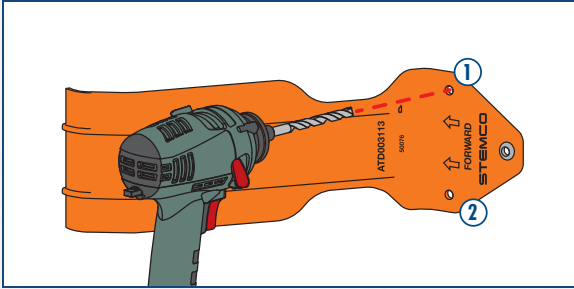
STEP 1 ATTACH VISIBILITY TAB

Insert a rivet through the trailing hole of the Visibility Tab and into the lateral panel.

IMPORTANT: Use only rivets included with kit.

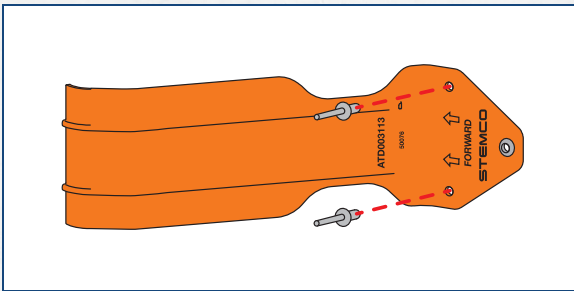
Orient the Visibility Tab such that it extends towards the front of the trailer and horizontally level.

Pop the rivet when level.



STEP 2 DRILL REMAINING HOLES

Level the Visibility Tab with the ground and match drill remaining two holes.



STEP 3 RIVET REMAINING HOLES

Insert the remaining two rivets through the holes of the Visibility Tab and pop the rivets to secure to the lateral panel.

INSTALL IS NOW COMPLETE



Making the Roadways Safer®

United States | 800-527-8492 | 903-758-9981

300 Industrial Boulevard
Longview, TX 75602 | US

Canada | 877-232-9111 | 905-206-9700

5775 McLaughlin Road
Mississauga, Ontario L5R 3P7 | Canada

stemco.com

Mexico | 444-804-1736

Eje Central Sahop No 215, Zona Ind
San Luis Potosi SLP 78395 | Mexico

Australia | 011-61-2-9793-2599

Unit 6 CNR Rookwood & Muir Roads
Yagoona NSW 2199 | Australia

STEMCO and TrailerTail are registered
trademarks of STEMCO LP. ©2017 STEMCO LP.
Part No. ATD003930 | Rev. 11/17


STEMCO®
A Higher Standard of Performance.™

an EnPro Industries company