

This document outlines the proper procedure for installing and wiring ZeroTouch™.

It is the responsibility of the installer to follow the procedures outlined in this document.

1

## INSTALL TRAILERTAIL

TrailerTail installation must be completed prior to installing and wiring ZeroTouch™.

2

## INSTALL MERITOR WABCO ABS WITH INFOLINK

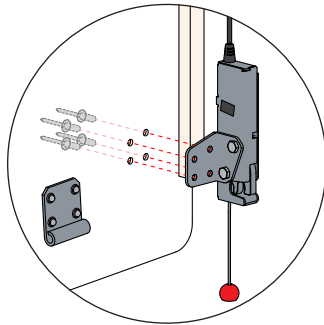
Complete Meritor WABCO ABS with InfoLink installation guide.

3

## LATCH INSTALLATION

### Attach electronic latch

- Insert the rivets from the outside of the Lateral Panel.
- Rivet the electronic latch to the Lateral Panel.



4

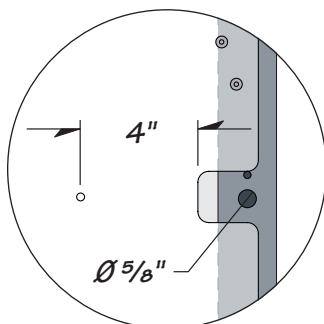
## PANEL AND TRAILER PREPARATION

### Lateral Panel grommet cutout

- Make a small 2" x 2" cutout where the latch cable will enter the trailer frame. The cutout should be approximately 41" from the bottom of the TrailerTail. The cutout may be moved up or down at most 6" to avoid a door hinge.
- Drill a hole 4" horizontally from the grommet cutout with a 1/4" drill bit.

### Drill holes in trailer frame

- Using a center punch, mark the trailer frame in the center of the cutout and centered horizontally on the frame. This mark will help keep the drill bit from wandering.
- Drill a 5/8" hole in the frame. Recommend a sheet metal hole saw.
- Use a grommet bracket as a template to drill the rivet mounting hole for the bracket.



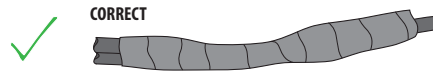
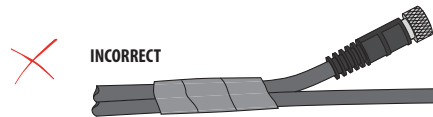
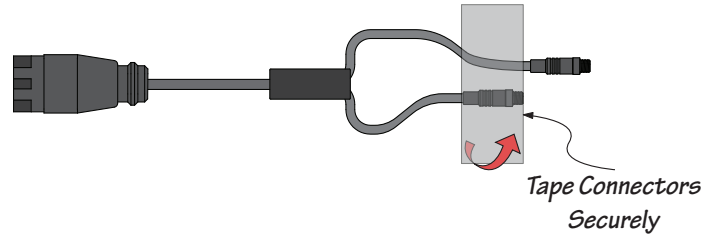
5

## MAIN WIRE HARNESS ROUTING

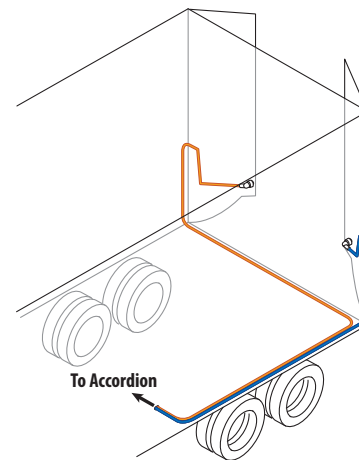
Plug in the large connector into the TCS-II InfoLink ABS unit. Follow Meritor WABCO instructions for routing and securing the wire harness along the slider accordion.

### Route latch connectors to rear of trailer

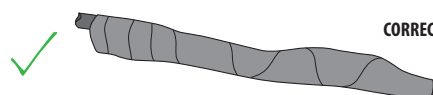
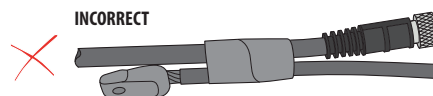
- Tape the shorter latch plug to the longer wire.



- Route the two latch connectors from the fixed end of the accordion to the rear of the trailer along an underbody channel.

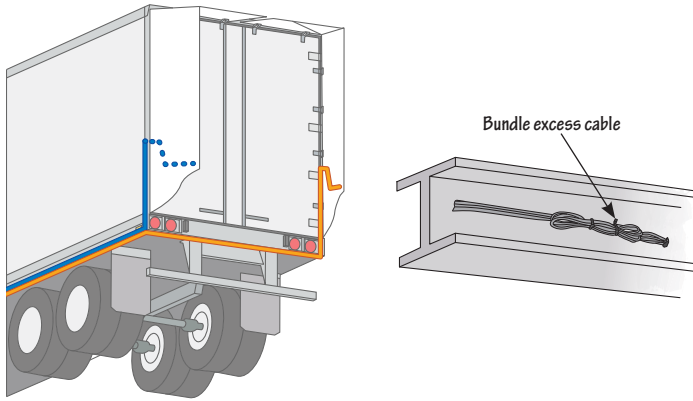


- When using fish tape, secure the connector to the pulling cable.



### Split up wires to near and far side

- Route the short wire to the near side of the trailer and the long wire to the far side.
- Use zip-ties to secure the wires to the trailer frame.



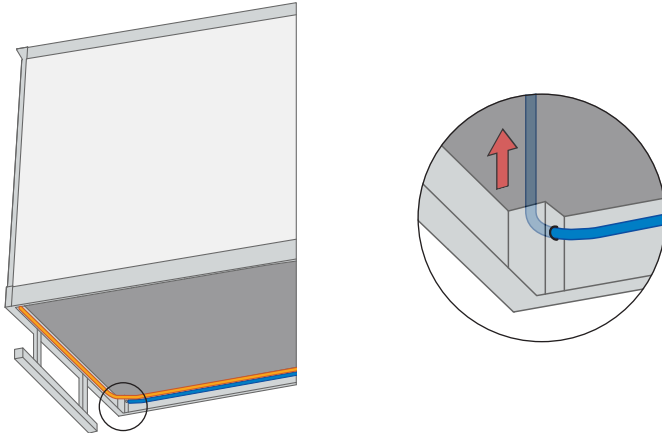
6

### LATCH CONTROL WIRE ROUTING

#### Route wire up through frame post

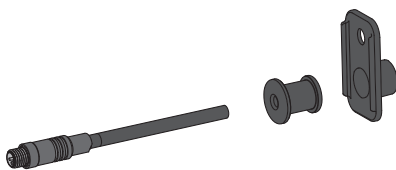
- Send a nylon pulling rope from the 5/8" hole you drilled earlier to the bottom of the post.
- Use the nylon pulling rope to pull the latch cable through the post. You may need to feed from the bottom as you pull from the top.

*Make sure wiring does not go through any sharp or bare metal holes. Use grommets or caulk to protect wire from bare metal.*



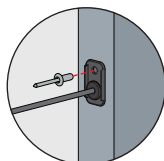
#### Assemble grommet and grommet bracket on wire

- Slide connector through back of plastic grommet.
- Slide the grommet so that approximately 3" of wire is exposed.
- Press the wire into the slit grommet. Push the grommet into the grommet bracket until both lips of the grommet sit flush against the grommet bracket.



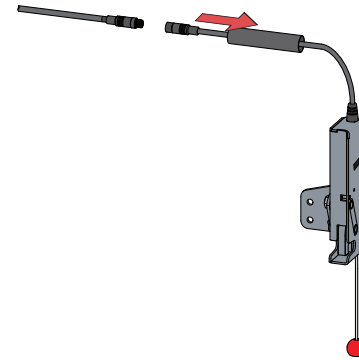
#### Rivet grommet bracket to trailer frame

- Rivet the grommet bracket to the post.



### Connect harness to latches

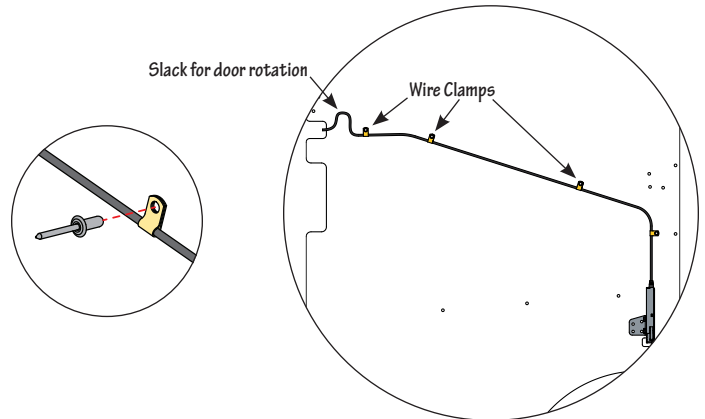
- Slide the heat shrink tubing over and past the connector.



- Plug the wire harness into the latch. Insert the connectors fully and screw to tighten.
- Slide heat shrink back over connector.



- Evenly apply heat over the length of the heat shrink tubing until it molds tightly to the connector.
- Place the wire clamps around the wire and rivet to the pre-drilled lateral panel holes to secure the cable. Make sure the rivet enters from the wire clamp side.
- The cable between the clamps should be taut and not have room to move and damage itself, *except between panel and trailer frame.*
- Repeat for other side.



#### Open and close TrailerTail to test wire excess at grommet

Leave approximately 3" of excess cable near the grommet. Test the excess by fully opening the trailer door and checking for cable binding.

#### Secure wire slack on underside of trailer

Secure any cable slack on the underside of the trailer. Zip-tie the cables in a loop behind the tail lights inside the housing. Any movement can cause the wire jacket to wear and cause a short.

7

### TESTING SYSTEM FUNCTIONALITY

See Meritor WABCO TP-16107 for system programming and End-of-Line system functional test instructions.