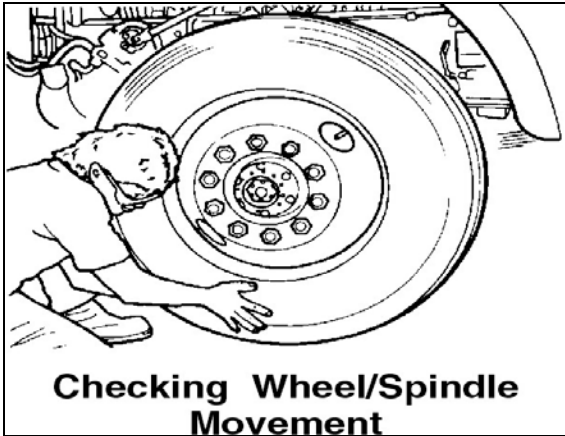
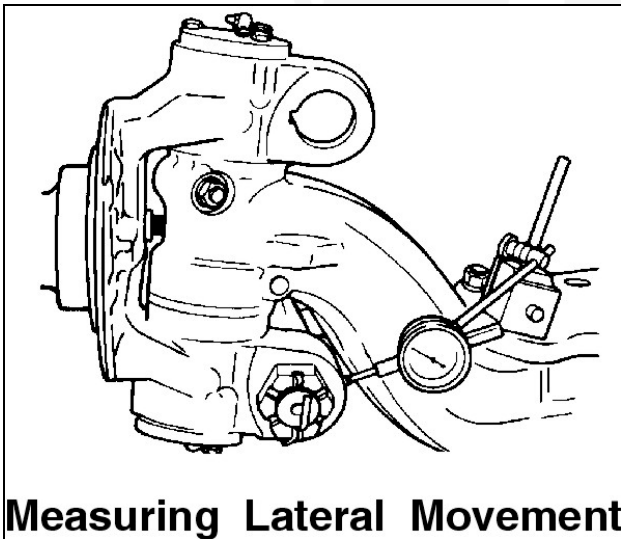


## King Pin Inspection & Safety Movement Allowance Sheet

**Safety Inspection:** Apply service brake to eliminate wheel bearing movement. With front end lifted and jacks installed, grasp tire at top and bottom and attempt to move in and out. Reject the vehicle if measurement at the top and bottom of the tire at the outer circumference is greater than listed below: 16" or less wheel - 1/4", 17" to 18" wheel - 3/8" and over 18" - 1/2"



**Routine Inspection:** Install a dial indicator so that the base is on the I-beam and the tip is against the side of the top of the knuckle. Set the indicator to zero and move the top of the tire side-to-side after raising the vehicle and installing jack stands. Repeat for lower bushing. If dial indicator moves a total of 0.010" for either, replace the king pins.



\* Information given is Dayton's & STEMCO Kaiser's Method of Identifying King Pin Movement and Measurement. Many King Pin and Axle manufacturers recommend the same procedure be performed to ensure accurate and proper practices for King Pin Replacement.